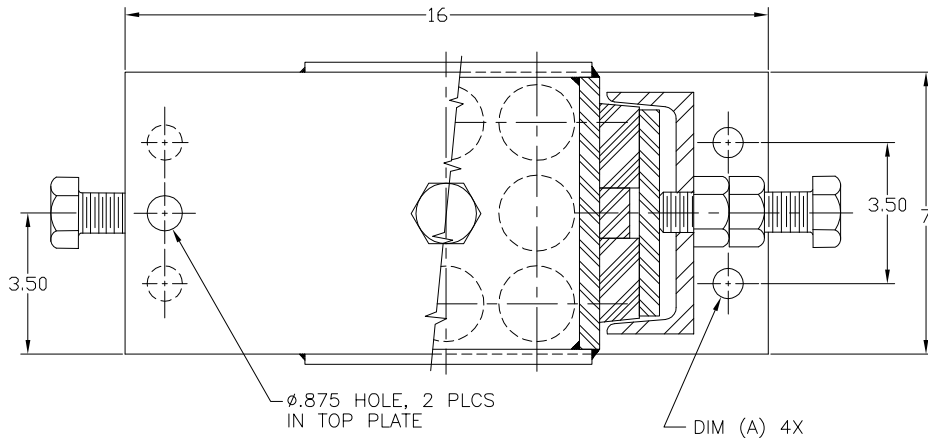
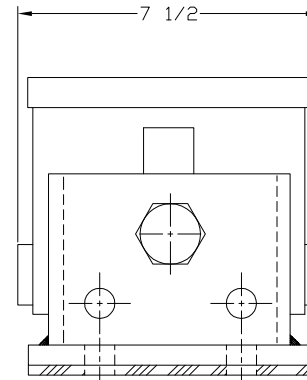
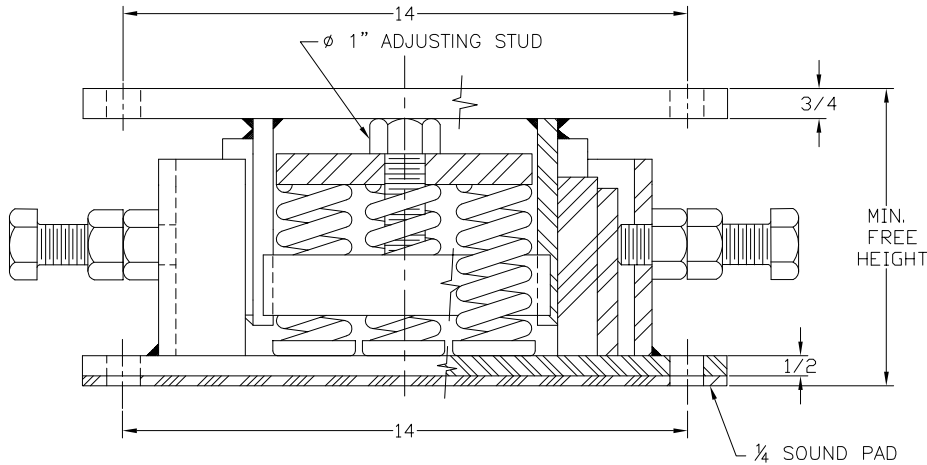


REV.	DESCRIPTION	DATE	BY



PART NUMBER	ISOLATOR MODEL	MAX. STEADY (LBS)	MAX. IMPACT (LBS)	DIAMETER (A)	ISOLATOR CONSTANT (LBS/IN)	MIN. FREE HEIGHT	COLOR CODE
606642-51	SIG-51	1125	▲	Ø 3/4	563	8	ORANGE
606642-52	SIG-52	1800	▲		1080		BROWN
606642-53	SIG-53	2700	▲		1710		BLACK
606642-54	SIG-54	4500	▲		3105		GREEN
606642-55	SIG-55	6300	▲	Ø 7/8	5040	BLUE	
606642-55S2	SIG-55S2	6300	▲		5040		
606642-56	SIG-56	10800	▲	Ø 3/4	14850	PURPLE	
606642-56S2	SIG-56S2	10800	▲	Ø 7/8	14850		
606642-45	SIG-45	2925	2340	Ø 3/4	3960	6 3/4	BROWN
606642-46	SIG-46	4000	3200		7200		RED
606642-47	SIG-47	5400	4320		11025		PURPLE
606642-57	SIG-57	9900	7425		19160		BLUE
606642-68	SIG-68	11700	11025	23850	7	GREEN	

- NOTES:
 1. ALL DIMENSIONS ARE IN INCHES, INTERPRET PER ANSI Y14
 2. STANDARD FINISH: CONTACT VMC FOR ADDITIONAL AVAILABILITY
 A. STEEL WELDMENTS: STANDARD VMC COLOR
 B. SPRING: POWDER COATED
 C. HARDWARE: ELECTRO-ZINC PLATED
 3. ENGINEER REVIEW



OTHER MATERIALS, COMPOUNDS, OR FINISHES WITH EQUAL OR SUPERIOR PROPERTIES MAY BE SUBSTITUTED AS THEY BECOME AVAILABLE.

CERTIFIED FOR:

JOB NAME: _____
 CUSTOMER : _____
 CUSTOMER P.O.: _____
 SALES ORDER: _____

**MODEL SIG 1125-11700 LBS.
 SPRING ISOLATOR WITH
 ADJUSTABLE SNUBBER**



THE VMC GROUP
The Power of Together
 Bloomingdale, NJ 07403
 Houston, TX 77041

SCALE:

NONE

SHEET:



DRAWING NO.:

REVISION