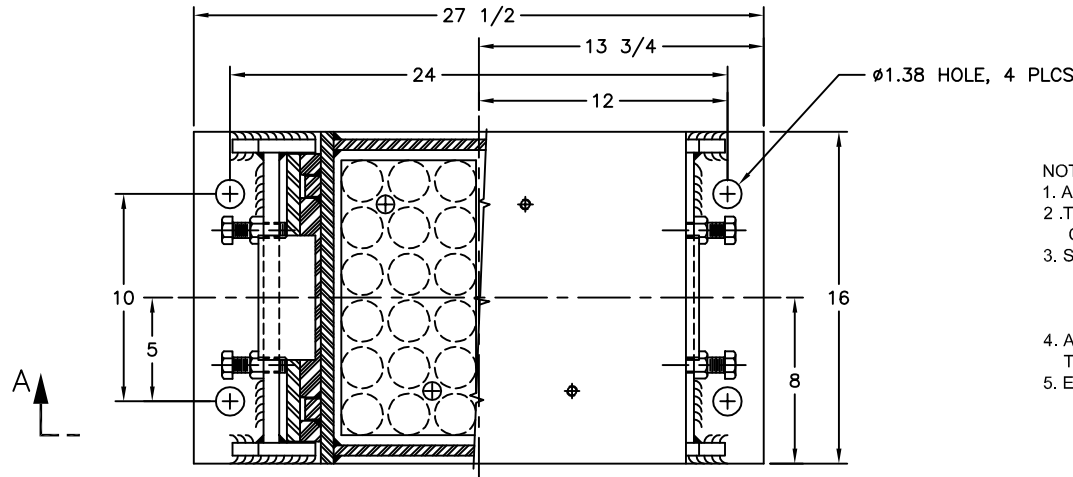


123R-103934 REV: 1

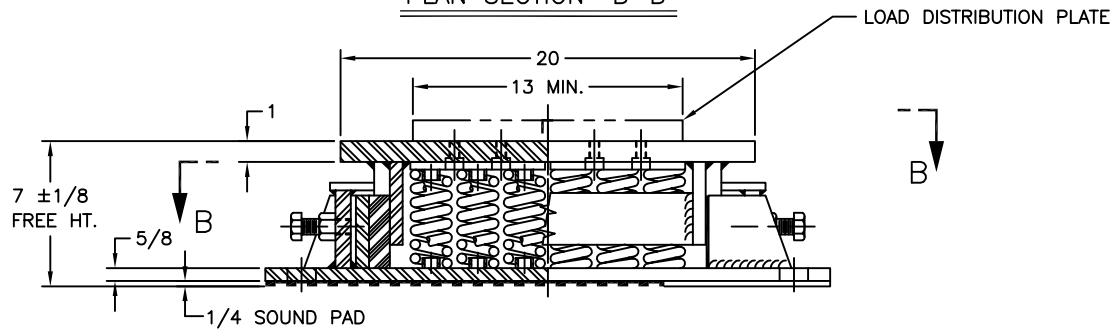
REV.	DESCRIPTION	DATE	BY



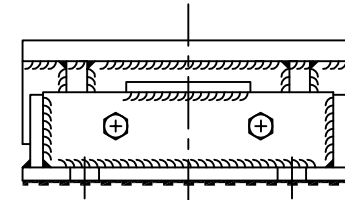
PART NUMBER	ISOLATOR MODEL	MAX. STEADY (LBS)	MAX. IMPACT (LBS)	ISOLATOR CONSTANT (LBS)	COLOR CODE
607356-1	SOS-7536	68,000	51,000	104,000	PINK

- NOTES:
- ALL DIMENSIONS ARE INCHES. INTERRUPT PER ANSYS.Y 14.
  - TAPPED HOLES IN ISOLATOR TOP PLATE CAN BE PROVIDED TO SUIT CONDITIONS..
  - STANDARD FINISH: CONTACT VMC FOR ADDITIONAL AVAILABILITY.
    - A. STEEL WELDMENTS: STANDARD VMC COLOR
    - B. SPRING: POWDER COATED
    - C. HARDWARE: ELECTRO- ZINC PLATED
  - AN APPROVED LOAD DISTRIBUTION PLATE IS REQUIRED IF THE EQUIPMENT BASE IS NARROWER THAN 13".
  - ESTIMATED NET WEIGHT: 350 LBS.

PLAN SECTION "B-B"



ELEVATION SECTION "A-A"



OTHER MATERIALS, COMPOUNDS, OR FINISHES WITH EQUAL OR SUPERIOR PROPERTIES MAY BE SUBSTITUTED AS THEY BECOME AVAILABLE.

**CERTIFIED FOR:**

JOB NAME: \_\_\_\_\_  
 CUSTOMER : \_\_\_\_\_  
 CUSTOMER P.O.: \_\_\_\_\_  
 SALES ORDER: \_\_\_\_\_

**MODEL SOS 68,000  
 SPRING ISOLATOR  
 WITH ADJUSTABLE SNUBBER**



**THE VMC GROUP**  
*The Power of Together*  
 Bloomingdale, NJ 07403  
 Houston, TX 77041

SCALE :

NONE

SHEET:



DRAWING NO.:

REVISION