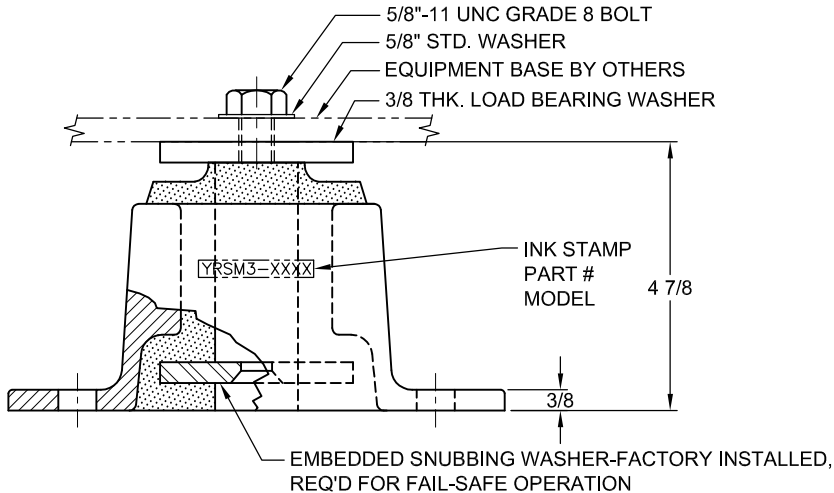
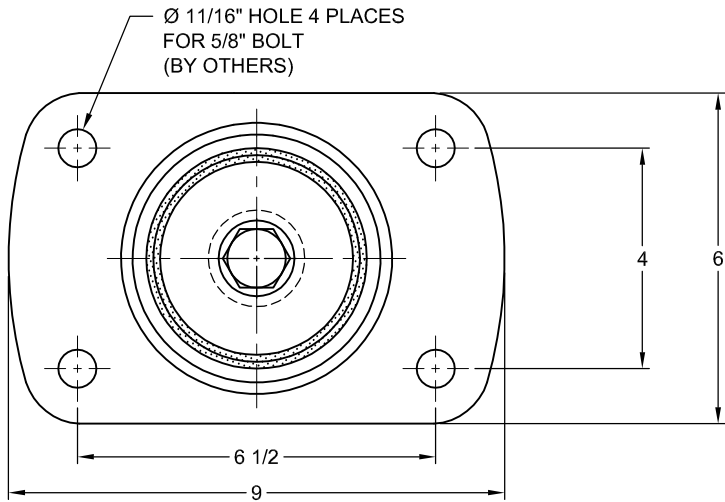


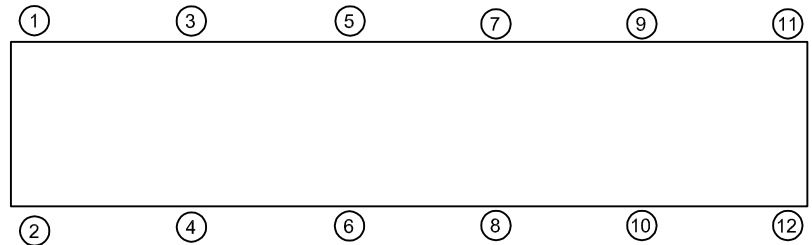
REV.	DESCRIPTION	DATE	BY



**NOTES:**

1. ALL DIMENSIONS ARE IN INCHES. INTERPRET PER ANSI Y14.
2. ALL DIMENSIONS ARE NOMINAL AND FOR REFERENCE ONLY.
3. APPROX. WEIGHT: 14.8 LBS
4. FINISH: ELECTRO-ZINC PLATED.
5. MOUNT INCLUDES LOAD BEARING WASHER, 5/8"-11 UNC GRADE 8 BOLT AND 5/8" STD. WASHER.
6. MOLDED METAL AND ELASTOMER MOUNT DESIGNED FOR FAIL-SAFE "CAPTIVE", "MOBILE" OR "SEISMIC" APPLICATIONS. EMBEDDED SNUBBING WASHERS ARE FACTORY INSTALLED FOR A FAIL SAFE OPERATION. CONSULT VMC FOR APPLICABILITY AND LIMITS.

YRSM3-4400Z SEISMIC MOUNT			
MODEL	LOAD RANGE (LBS)	DEFLECTION AT LOAD (IN)	MAX. AXIAL DEFL. (LB/IN)
YRSM3-4400Z	4400	0.15	0.50



ISOLATOR SELECTIONS	
LOC 1:	LOC 2:
LOC 3:	LOC 4:
LOC 5:	LOC 6:
LOC 7:	LOC 8:
LOC 9:	LOC 10:
LOC 11:	LOC 12:
CUSTOMER EQPT. TAG:	

NOTE: MATERIAL SHOWN IS FOR (1) SET.

OTHER MATERIALS, COMPOUNDS, OR FINISHES WITH EQUAL OR SUPERIOR PROPERTIES MAY BE SUBSTITUTED AS THEY BECOME AVAILABLE.

**CERTIFIED FOR:**

JOB NAME: \_\_\_\_\_  
 CUSTOMER : \_\_\_\_\_  
 CUSTOMER P.O.: \_\_\_\_\_  
 SALES ORDER: \_\_\_\_\_

**MODEL YRSM3 4400 LBS.  
 SEISMIC MOUNT  
 ELECTRO ZINC PLATED**



**THE VMC GROUP**  
*The Power of Together*  
 Bloomingdale, NJ 07403  
 Houston, TX 77041

SCALE :

NONE

SHEET:



DRAWING NO.:

REVISION